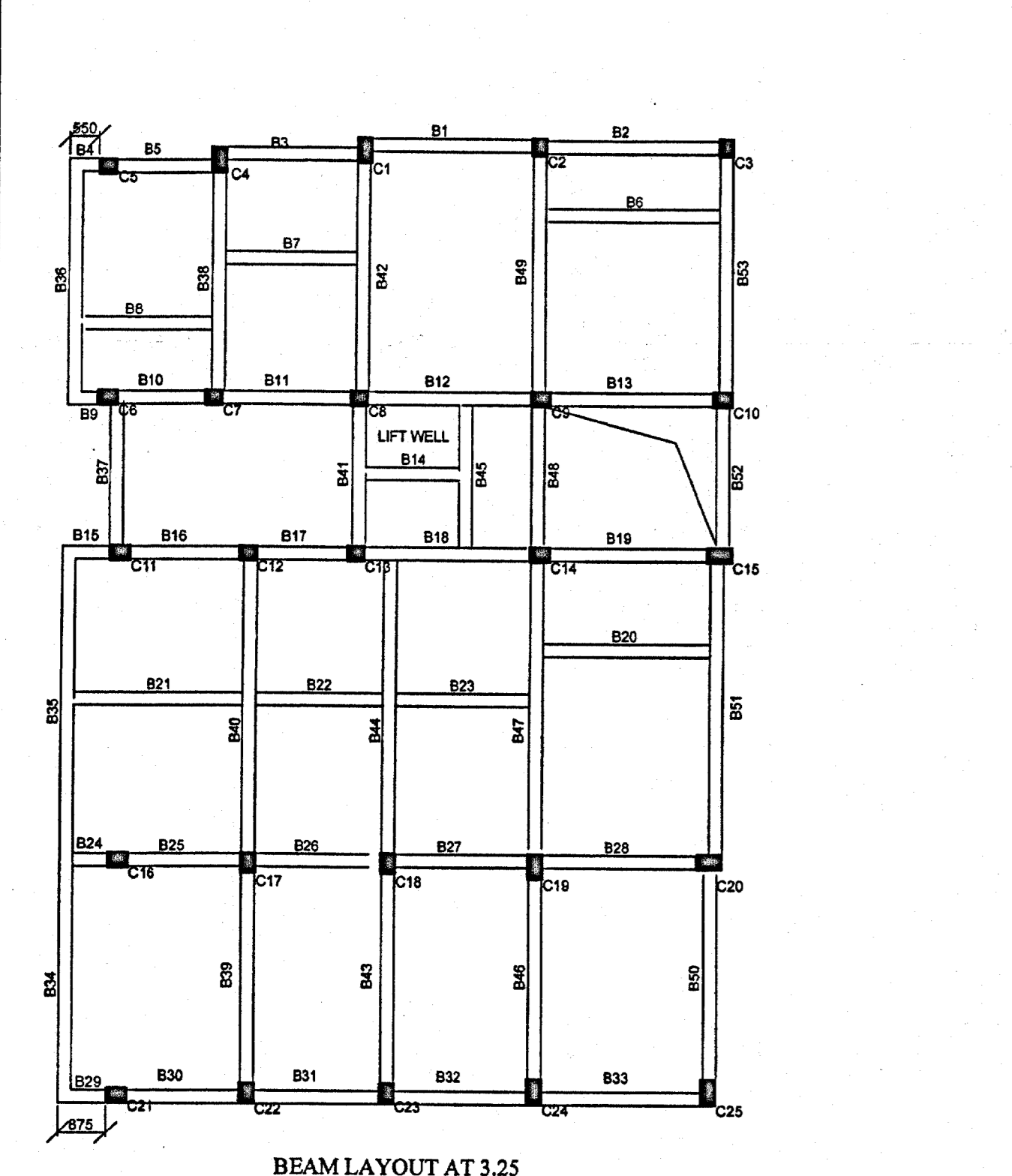
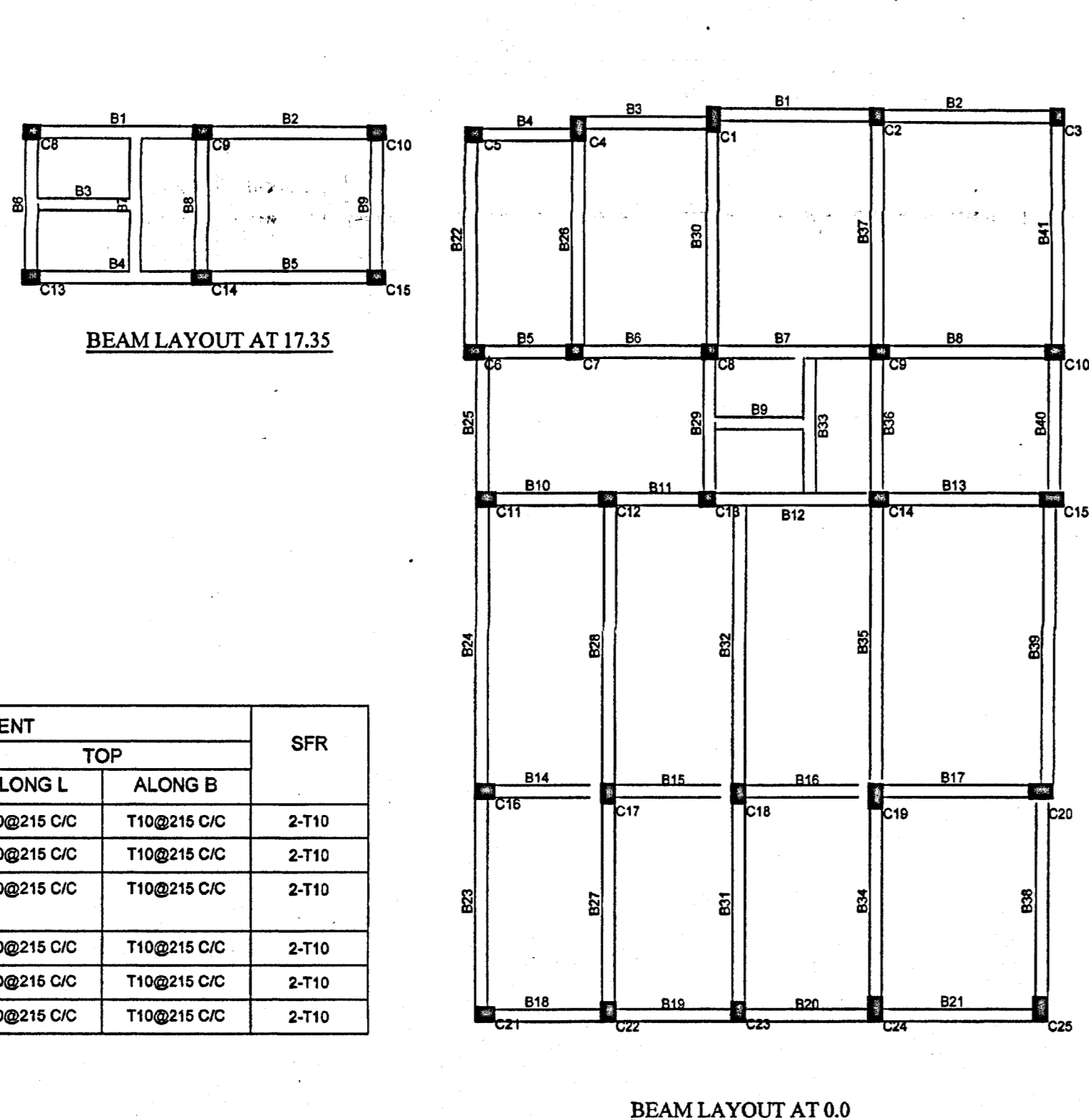
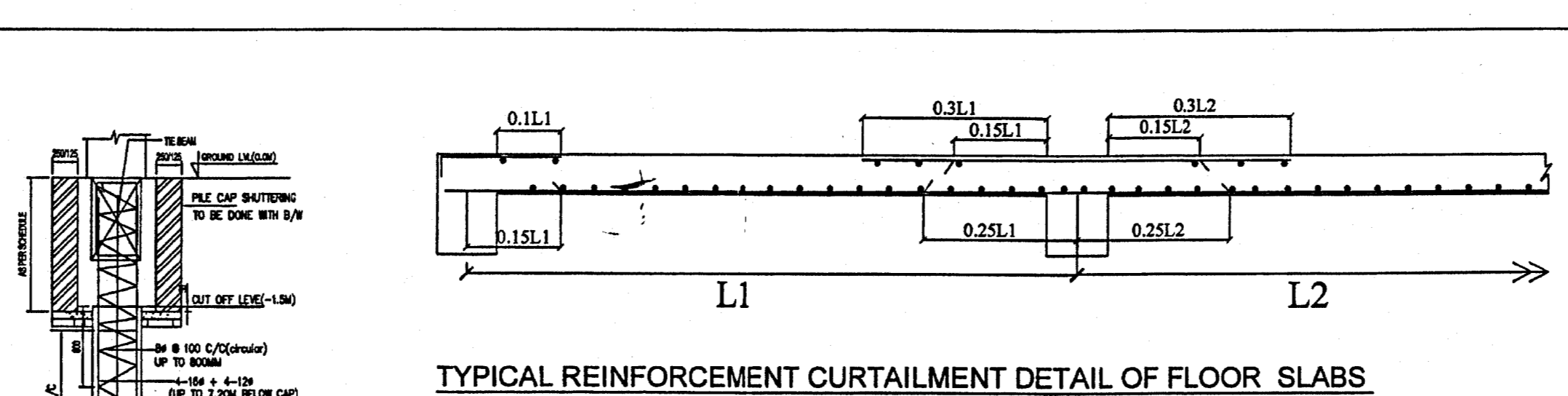


PILE CAP MARK	COLUMN MARK	PILES	DIMENSIONS				REINFORCEMENT				SFR
			L	B	D	ALONG L	ALONG B	ALONG TOP	ALONG B		
PC1	C1-C4	2-500 DIA	2400	800	800	T10@150 CC	T10@150 CC	T10@210 CC	T10@210 CC	2-T10	
PC2	C2-C3, C11	2-500 DIA	2400	800	800	T10@150 CC	T10@150 CC	T10@210 CC	T10@210 CC	2-T10	
PC3	C5, C10, C11, C12, C13	2-500 DIA	2400	800	800	T10@150 CC	T10@150 CC	T10@210 CC	T10@210 CC	2-T10	
PC7	C7, C8, C12	3-500 DIA	2010	-	600	T10@110 CC	T10@110 CC	T10@210 CC	T10@210 CC	2-T10	
PC8	C8, C14, C17	3-500 DIA	2010	-	600	T10@145 CC	T10@145 CC	T10@210 CC	T10@210 CC	2-T10	
PC9	C18, C20, C24, C25	3-500 DIA	2010	-	600	T10@100 CC	T10@100 CC	T10@210 CC	T10@210 CC	2-T10	

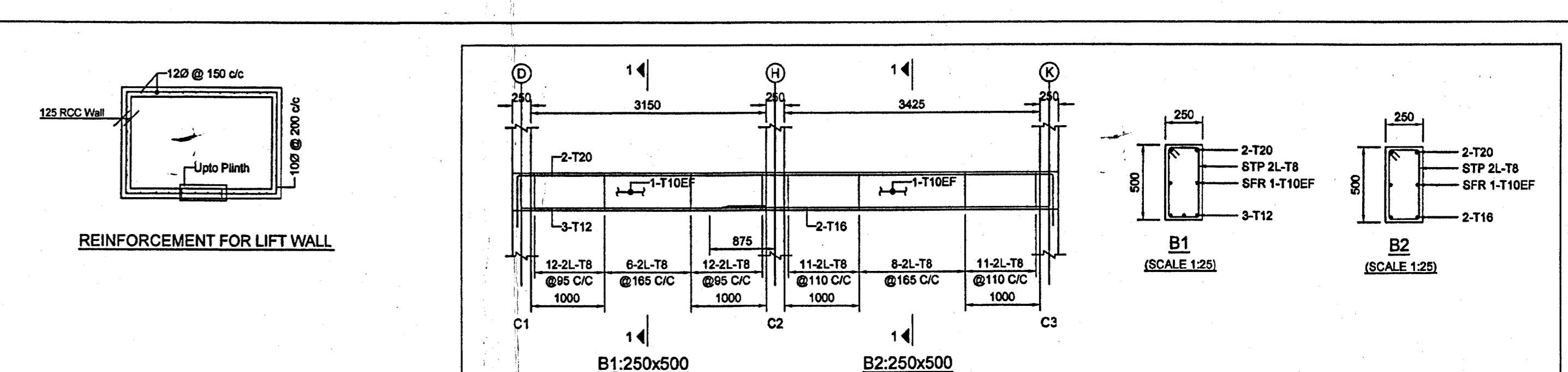


LEVEL	SIZE	STEEL		LINKS		MATERIAL		SCR ZONE	
		ALONG L	ALONG B	ALONG L	ALONG B	M25:F415	M25:F415	M25:F415	M25:F415
14.85 M TO 17.35 M	300 X 300	4-T10	4-T10	2-T10@75 CC + T10@150 CC	2-T10@75 CC + T10@150 CC	M25:F415	M25:F415	450	450
	300 X 400	4-T12	4-T12	2-T10@75 CC + T10@150 CC	2-T10@75 CC + T10@150 CC	M25:F415	M25:F415	450	450
11.85 M TO 14.85 M	300 X 300	4-T10	4-T10	2-T10@75 CC + T10@150 CC	2-T10@75 CC + T10@150 CC	M25:F415	M25:F415	450	450
	300 X 400	4-T12	4-T12	2-T10@75 CC + T10@150 CC	2-T10@75 CC + T10@150 CC	M25:F415	M25:F415	450	450
9.05 M TO 11.85 M	300 X 300	4-T10	4-T10	2-T10@75 CC + T10@150 CC	2-T10@75 CC + T10@150 CC	M25:F415	M25:F415	450	450
	300 X 400	4-T12	4-T12	2-T10@75 CC + T10@150 CC	2-T10@75 CC + T10@150 CC	M25:F415	M25:F415	450	450
6.15 M TO 9.05 M	300 X 300	4-T10	4-T10	2-T10@75 CC + T10@150 CC	2-T10@75 CC + T10@150 CC	M25:F415	M25:F415	450	450
	300 X 400	4-T12	4-T12	2-T10@75 CC + T10@150 CC	2-T10@75 CC + T10@150 CC	M25:F415	M25:F415	450	450
3.25 M TO 6.15 M	300 X 300	4-T10	4-T10	2-T10@75 CC + T10@150 CC	2-T10@75 CC + T10@150 CC	M25:F415	M25:F415	450	450
	300 X 400	4-T12	4-T12	2-T10@75 CC + T10@150 CC	2-T10@75 CC + T10@150 CC	M25:F415	M25:F415	450	450
0 M TO 3.25 M	300 X 300	4-T10	4-T10	2-T10@75 CC + T10@150 CC	2-T10@75 CC + T10@150 CC	M25:F415	M25:F415	450	450
	300 X 400	4-T12	4-T12	2-T10@75 CC + T10@150 CC	2-T10@75 CC + T10@150 CC	M25:F415	M25:F415	450	450
-1.5 M TO 0 M	300 X 300	4-T10	4-T10	2-T10@75 CC + T10@150 CC	2-T10@75 CC + T10@150 CC	M25:F415	M25:F415	450	450
	300 X 400	4-T12	4-T12	2-T10@75 CC + T10@150 CC	2-T10@75 CC + T10@150 CC	M25:F415	M25:F415	450	450



PANEL NO.	SPAN	REIN. IN SHORTER DIRECTION	REIN. IN LONGER DIRECTION
ALL SLAB PANELS	115	8@250 CC	8@250 CC
	120	8@250 CC	8@250 CC
	125	8@250 CC	8@250 CC
	130	8@250 CC	8@250 CC
	135	8@250 CC	8@250 CC
	140	8@250 CC	8@250 CC
	145	8@250 CC	8@250 CC
	150	8@250 CC	8@250 CC
	155	8@250 CC	8@250 CC
	160	8@250 CC	8@250 CC
	165	8@250 CC	8@250 CC
	170	8@250 CC	8@250 CC
	175	8@250 CC	8@250 CC
	180	8@250 CC	8@250 CC
	185	8@250 CC	8@250 CC
	190	8@250 CC	8@250 CC
	195	8@250 CC	8@250 CC
	200	8@250 CC	8@250 CC
	205	8@250 CC	8@250 CC
	210	8@250 CC	8@250 CC
	215	8@250 CC	8@250 CC
	220	8@250 CC	8@250 CC
	225	8@250 CC	8@250 CC
	230	8@250 CC	8@250 CC
	235	8@250 CC	8@250 CC
	240	8@250 CC	8@250 CC
	245	8@250 CC	8@250 CC
	250	8@250 CC	8@250 CC
	255	8@250 CC	8@250 CC
	260	8@250 CC	8@250 CC
	265	8@250 CC	8@250 CC
	270	8@250 CC	8@250 CC
	275	8@250 CC	8@250 CC
	280	8@250 CC	8@250 CC
	285	8@250 CC	8@250 CC
	290	8@250 CC	8@250 CC
	295	8@250 CC	8@250 CC
	300	8@250 CC	8@250 CC
	305	8@250 CC	8@250 CC
	310	8@250 CC	8@250 CC
	315	8@250 CC	8@250 CC
	320	8@250 CC	8@250 CC
	325	8@250 CC	8@250 CC
	330	8@250 CC	8@250 CC
	335	8@250 CC	8@250 CC
	340	8@250 CC	8@250 CC
	345	8@250 CC	8@250 CC
	350	8@250 CC	8@250 CC
	355	8@250 CC	8@250 CC
	360	8@250 CC	8@250 CC
	365	8@250 CC	8@250 CC
	370	8@250 CC	8@250 CC
	375	8@250 CC	8@250 CC
	380	8@250 CC	8@250 CC
	385	8@250 CC	8@250 CC
	390	8@250 CC	8@250 CC
	395	8@250 CC	8@250 CC
	400	8@250 CC	8@250 CC
	405	8@250 CC	8@250 CC
	410	8@250 CC	8@250 CC
	415	8@250 CC	8@250 CC
	420	8@250 CC	8@250 CC
	425	8@250 CC	8@250 CC
	430	8@250 CC	8@250 CC
	435	8@250 CC	8@250 CC
	440	8@250 CC	8@250 CC
	445	8@250 CC	8@250 CC
	450	8@250 CC	8@250 CC
	455	8@250 CC	8@250 CC
	460	8@250 CC	8@250 CC
	465	8@250 CC	8@250 CC
	470	8@250 CC	8@250 CC
	475	8@250 CC	8@250 CC
	480	8@250 CC	8@250 CC
	485	8@250 CC	8@250 CC
	490	8@250 CC	8@250 CC
	495	8@250 CC	8@250 CC
	500	8@250 CC	8@250 CC

BEAM NUMBERS	SIZE	BOTTOM REINFORCEMENT			TOP REINFORCEMENT			SHEAR STIRRUPS		
		LEFT	MID SPAN	RIGHT	LEFT	MID SPAN	RIGHT	LEFT	MID SPAN	RIGHT
B1	250 X 400	3-T12	3-T12	3-T12	3-T12	3-T12	3-T12	13-2L-T8@70 CC	8-2L-T8@170 CC	19-2L-T8@45 CC
B2	250 X 400	3-T12	3-T12	3-T12	3-T12	3-T12	3-T12	19-2L-T8@45 CC	8-2L-T8@170 CC	13-2L-T8@70 CC
B3	250 X 400	3-T12	3-T12	3-T12	3-T12	3-T12	3-T12	6-2L-T8@255 CC	3-2L-T8@255 CC	6-2L-T8@255 CC
B4	250 X 400	3-T12	3-T12	3-T12	3-T12	3-T12	3-T12	13-2L-T8@70 CC	2-2L-T8@140 CC	19-2L-T8@45 CC
B5	250 X 400	3-T12	3-T12	3-T12	3-T12	3-T12	3-T12	13-2L-T8@70 CC	2-2L-T8@140 CC	11-2L-T8@85 CC
B6	250 X 400	3-T12	3-T12	3-T12	3-T12	3-T12	3-T12	11-2L-T8@85 CC	13-2L-T8@70 CC	13-2L-T8@70 CC
B7	250 X 400	3-T12	3-T12	3-T12	3-T12	3-T12	3-T12	19-2L-T8@45 CC	10-2L-T8@140 CC	13-2L-T8@70 CC
B8	250 X 400	3-T12	3-T12	3-T12	3-T12	3-T12	3-T12	15-2L-T8@90 CC	8-2L-T8@170 CC	13-2L-T8@70 CC
B9	250 X 400	3-T10	3-T10	3-T10	3-T10	3-T10	3-T10	4-2L-T8@255 CC	2-2L-T8@255 CC	4-2L-T8@255 CC
B10	250 X 400	3-T12	3-T12	3-T12	3-T12	3-T12	3-T12	13-2L-T8@70 CC	13-2L-T8@70 CC	13-2L-T8@70 CC
B11	250 X 400	2-T12	2-T12	2-T12	2-T12	2-T12	2-T12	13-2L-T8@70 CC	1-2L-T8@140 CC	13-2L-T8@70 CC
B12	250 X 400	3-T12	3-T12	3-T12	3-T12	3-T12	3-T12	13-2L-T8@70 CC	10-2L-T8@140 CC	13-2L-T8@70 CC
B13	250 X 400	3-T12	3-T12	3-T12	3-T12	3-T12	3-T12	13-2L-T8@70 CC	11-2L-T8@140 CC	13-2L-T8@70 CC
B14	250 X 400	3-T12	3-T12	3-T12	3-T12	3-T12	3-T12	13-2L-T8@70 CC	10-2L-T8@140 CC	19-2L-T8@45 CC
B15, B16, B17, B18, B19, B20, B21, B22, B23, B24, B25	250 X 400	3-T12	3-T12	3-T12	3-T12	3-T12	3-T12	13-2L-T8@70 CC	4-2L-T8@170 CC	13-2L-T8@70 CC



BEAM NUMBERS	SIZE	BOTTOM REINFORCEMENT			TOP REINFORCEMENT			SHEAR STIRRUPS		
		LEFT	MID SPAN	RIGHT	LEFT	MID SPAN	RIGHT	LEFT	MID SPAN	RIGHT
B1, B28	250 X 400	3-T12	3-T12	3-T12	2-T25	2-T25	2-T25	11-2L-T8@80 CC	11-2L-T8@140 CC	11-2L-T8@80 CC
B2	250 X 400	3-T12	3-T12	3-T12	2-T25	2-T25	2-T25	11-2L-T8@80 CC	11-2L-T8@140 CC	11-2L-T8@80 CC
B3	250 X 400	3-T12	3-T12	3-T12	2-T25	2-T25	2-T25	11-2L-T8@80 CC	11-2L-T8@140 CC	11-2L-T8@80 CC
B6, B20	250 X 400	2-T12	2-T12	2-T12	3-T10	3-T10	3-T10	8-2L-T8@140 CC	7-2L-T8@140 CC	8-2L-T8@140 CC
B7, B23	250 X 400	3-T10	3-T10	3-T10	3-T10	3-T10	3-T10	8-2L-T8@140 CC	6-2L-T8@140 CC	8-2L-T8@140 CC
B8	250 X 400	3-T10	3-T10	3-T10	3-T10	3-T10	3-T10	8-2L-T8@140 CC	6-2L-T8@140 CC	8-2L-T8@140 CC
B14	250 X 400	3-T10	3-T10	3-T10	3-T10	3-T10	3-T10	6-2L-T8@140 CC	4-2L-T8@140 CC	6-2L-T8@140 CC
B21	250 X 400	3-T10	3-T10	3-T10	3-T10	3-T10	3-T10	7-2L-T8@140 CC	7-2L-T8@140 CC	6-2L-T8@140 CC
B22	250 X 400	3-T10	3-T10	3-T10	3-T12	3-T12	3-T12	7-2L-T8@140 CC	6-2L-T8@140 CC	7-2L-T8@140 CC
B29	250 X 400	3-T16	3-T16	3-T16	3-T25	3-T25	3-T25	4-2L-T10@125 CC	3-2L-T10@125 CC	4-2L-T10@125 CC
B30	250 X 400	3-T16	3-T16	3-T16	3-T25	3-T25	3-T25	11-2L-T8@85 CC	3-2L-T8@140 CC	11-2L-T8@85 CC
B31	250 X 400	3-T12	3-T12	3-T12	3-T16	3-T16	3-T16	11-2L-T8@85 CC	5-2L-T8@140 CC	11-2L-T8@85 CC
B32	250 X 400	3-T12	3-T12	3-T12	3-T20	3-T20	3-T20	11-2L-T8@85 CC	6-2L-T8@140 CC	11-2L-T8@85 CC
B33	250 X 400	3-T12	3-T12	3-T12	3-T20	3-T20	3-T20	11-2L-T8@85 CC	11-2L-T8@140 CC	11-2L-T8@85 CC
B34	250 X 400	3-T12	3-T12	3-T12	2-T16	2-T16	2-T16	10-2L-T8@85 CC	8-2L-T8@140 CC	10-2L-T8@85 CC
B35	250 X 400	3-T12	3-T12	3-T12	2-T16	2-T16	2-T16	10-2L-T8@85 CC	8-2L-T8@140 CC	10-2L-T8@85 CC
B36	250 X 400	3-T12	3-T12							